



## Operating Warnings

Fit your One-Shot Receiver unit carefully. Take care to wire the unit to the diagram and follow these instructions carefully\*.

This One-Shot can be used with most makes of pump controller. If used with a Spring controller then the controller will indicate 'PS' (pressure switch activated) when the remote is used to stop the pump. This is normal and to be expected.

### Step 2. Operation:

Once installed, simply press the fob button once to activate the pump. The pump will start, the controller will indicate a normal running operation.

To stop the pump press the fob once to de-activate the pump. Spring units will indicate 'PS' and the pump will stop.

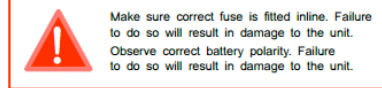
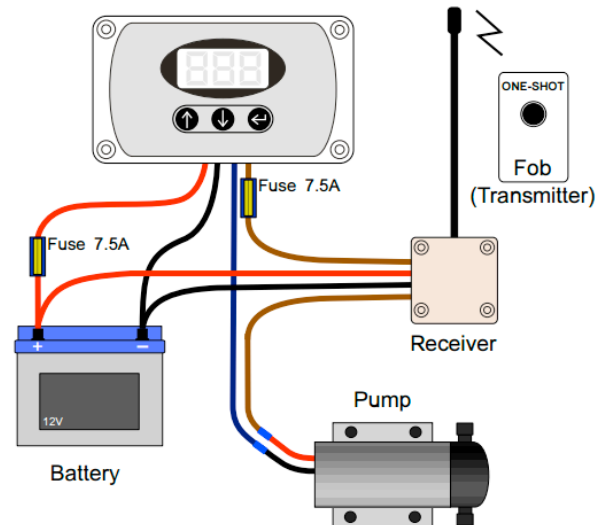
Specification	Value
Supply Voltage	11 - 14 VDC
Maximum Load Current	10A
Typical Load Current	4-5A
Enclosure Material	ABS
Water Resistance	IP65 (receiver only)
Dimensions	52 x 52 x 36(mm)
Working Temperature	0 to 40 Deg C
Battery (Fob only)	3V coin cell
One-Shot Standalone - Range	+60m (approx**)

\* Unit must be installed by a competent electrician or electrical engineer. Failure to comply with these instructions could invalidate your warranty.  
\*\* All range distances are line of site and approximate. Working distances may vary depending on obstacles, environmental conditions and individual installation.

DISCLAIMER  
THE MANUFACTURER RESERVES THE RIGHT TO MAKE CHANGES TO ANY PRODUCT HEREIN TO IMPROVE RELIABILITY, FUNCTION OR DESIGN. THE MANUFACTURER DOES NOT ASSUME ANY LIABILITY ARISING OUT OF THE APPLICATION OR USE OF ANY PRODUCT OR CIRCUIT DESCRIBED HEREIN.

### Step 1. Wiring

Connect the pump controller following this diagram.  
NOTE only fit the fuse once all connections are made.



**THE ONE SHOT RETRO FIT RADIO REMOTE KIT:** This will retro-fit to all water pump controllers currently on the market. Easy to fit and easy to use. One Click On - One Click Off. For complete and easy remote control of your pump. UK manufactured by a leading pump controls company. Full 12 month Warranty for piece of mind. All units and fobs are factory configured and tested. All necessary connectors crimps fuse and full instructions are included. This kit allows you to get the best out of your system by helping you work more efficiently as you move between windows.

- Save Water
- Reduce Battery Use
- NO more twisted or kinked hoses
- Work smarter
- Increase earning potential

No need to DE the pump by twisting or kinking the hose simple switch off the pump with the One Shot. The 'Retro Kit' will work on both vehicle and trolley systems

:Note The remote will work Line of site up to 60 meters.

Note The water flow make take a few seconds to stop once you have stopped the pump. This is due to pressure in the hose and the DE calibration setting. Be aware the higher the Calibration and Flow setting the higher the pressure created by the pump. This will effect how long it takes for the water flow to stop. Push the One Shot fob once after a few seconds the flow will stop.

**Available from Gardiner Pole systems, Pure Freedom, Window cleaning Warehouse, Cleaning Spot, Streamline TCW, Sureclean Systems Ireland, X-line systems. Or Contact your WFP supplier**

**Note** The Stand alone retro fitting radio remote will switch the pump On/Off it will not wake up the pump control. Your pump control must 1st be switched on manually to allow use of the radio remote.

### **One shot Stand alone:**

#### **My One Shot is not switching the Pump**

The remote defaults to 'on' on power up. Effectively pressing the fob disconnects the relay by making it go the opposite way..

If the pump is always on it sounds like the unit is not receiving the message from the fob. Possible causes:

1. The DIP switches in the receiver have been changed. Find out fob channel and check positions of DIP switches.
2. The fob battery is flat. Replace or check with a meter. Should 3.0V.
3. The receiver has been damaged (possibly due to a miswire).
4. The receiver has locked up (disconnect from battery for 30 secs then reconnect. Red to + and Black to -. Press and hold fob button. Does pump respond?).
5. Check with pump disconnected but red and black connected to power. Operate fob. Can you hear Standalone's relay clicking.

6. Avoid repeatedly pressing the fob button as this is simply switching the pump on/off rapidly and flow will not stop.

Note: Press the fob once the pump is instantly switched. However the water will continue to flow for a couple of seconds as the hose pressure must bleed away. This is because even with the pump off some pressure remains in the line as the hose wall contracts.

To restart press the fob once the hose line will need to re pressurize before flow will begin this will take a couple of seconds.



**Disclaimer:** The contents of this document are provided “as is.” This information could contain technical inaccuracies, typographical errors & out of date information. This document may be updated or changed without notice at any time. Use of the information contained within is therefore at your own risk.

In no event shall the WCA be liable for special, indirect, incidental or consequential damage resulting or related to the use or the applied use of this document.

This document is provided to help WCA members & professional window cleaners & related trades to help & grow their businesses. We ask you as members of character to not share this document with non-members or post any part of the content contained within the document freely or without permission.