

IONIC PRODUCT GUIDE 2016



IONIC SYSTEMS 2016 PRICE LIST

IONIC PRODUCT GUIDE 2016

CONTENTS

Reach & Wash® Systems	3
Water Softeners	8
Reach & Wash® Poles	10
Reach & Wash® Pole Parts	12
Fittings	
- Quick-Release Fittings	15
- John Guest Fittings	16
Filters, Filter Housings & Filter Media	18
System Parts & Accessories	20
Hoses & Hose Reels	21
Hand-Tools & Accessories	22



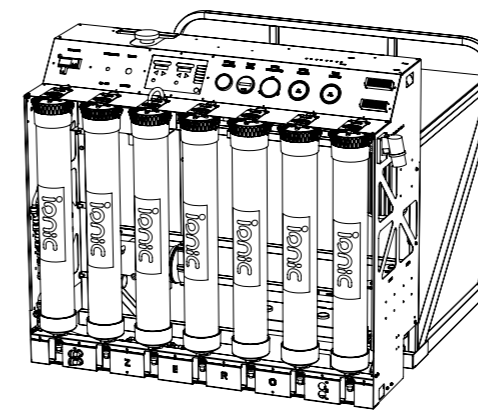
© 2016 Ionic Systems Ltd, All rights reserved.
The phrase "Reach and Wash" and the Reach & Wash symbol are registered trademarks of Ionic Systems Ltd
E60E



REACH & WASH® ZERO VEHICLE-MOUNTED SYSTEMS

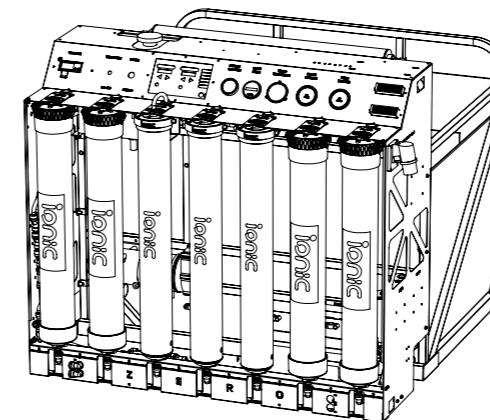


THE ZERO™



With an impressive 8-stages of water treatment and automated tech including PFS™, ROMS™ & PDI™, the Zero™ represents the very best system for your window cleaning business. Cleaning with 18meg-ohm (0PPB) water is a breeze, powering through years of baked on dirt and the dulling effects of pollution on glass. Whether its an initial clean or a reduced frequency clean, the Zero™ is the system of choice to deliver spot free results in the shortest time. (Pure water production up to 9 ltrs per min dependent upon mains water supply)

THE ZERO™ - 'S'



The Zero™ 'S' model features the same 8-stage water treatment and automated tech to deliver 18 meg-ohm ultra pure water to tackle the most demanding window cleaning tasks. However, the 'S' model also features our high performance Stainless Steel filter housings to turbo charge pure water production. Fitted with boosted fill as standard the 'S' model produces up to 12 litre's of ultra pure water per minute (dependent on mains water supply). The 'S' model is highly recommend for use in countries where summer temperature's rise above 35 degrees C.

THE ZERO™ SYSTEM

The Zero Reach & Wash system represents a leap forward in pure-water cleaning. With several unique technologies, it is simply the most advanced system available.

PRICES & FINANCE

Zero™ PPB System Zero parts per Billion	Machine Only	3-Year Finance	5-Year Finance
Zero™ PPB System 500 Litre	£11,400	£410.42	£273.28
Zero™ PPB System 600 Litre	£11,500	£414.02	£276.68
Zero™ PPB System 700 Litre	£11,600	£417.62	£278.08
Zero™ PPB System 800 Litre	£12,100	£415.62	£290.08
Zero™ PPB System 900 Litre	£12,200	£435.22	£292.48
Zero™ PPB System 1,000 Litre	£12,300	£442.82	£295.88

Upgrades

Thermopure	+£3750
------------	--------

PRICES & FINANCE

Zero™ 'S' PPB System Zero parts per Billion	Machine Only	3-Year Finance	5-Year Finance
Zero™ PPB System 500 Litre	£11,900	£428.42	£285.28
Zero™ PPB System 600 Litre	£12,000	£432.02	£288.68
Zero™ PPB System 700 Litre	£12,100	£435.62	£290.08
Zero™ PPB System 800 Litre	£12,600	£453.62	£302.08
Zero™ PPB System 900 Litre	£12,700	£437.22	£304.48
Zero™ PPB System 1,000 Litre	£12,800	£460.82	£307.88

Upgrades

Thermopure	+£3750
------------	--------



REACH & WASH® V4 VEHICLE-MOUNTED SYSTEMS



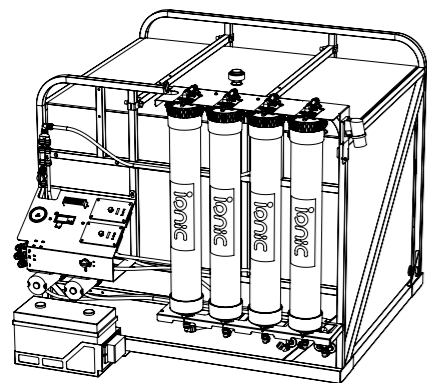
V4™

The V4™ truck-mount has undergone a complete ground up revision resulting in an impressive 10% weight reduction for improved payload capacity as well as a 100mm lower centre of gravity for improved vehicle handling.

In addition the V4™ boasts tech options to improve filter performance, RO membrane life and water quality.

With new tech such as periodic auto-flush, ROMS™ and PDI™, V4™ water quality moves into the sub zero ppm range.

THE V4™ DiFUSE

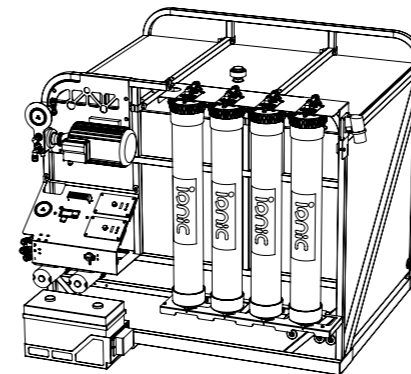


PRICES & FINANCE

V4™ DiFuse System		Machine Only	3-Year Finance	5-Year Finance
V4™ DiFuse Sys	300 Litre	£4,950	£178.02	£118.68
V4™ DiFuse Sys	400 Litre	£5,050	£181.62	£121.08
V4™ DiFuse Sys	500 Litre	£5,550	£199.62	£133.08
V4™ DiFuse Sys	600 Litre	£5,650	£203.22	£135.48
V4™ DiFuse Sys	700 Litre	£5,750	£207.82	£138.88
V4™ DiFuse Sys	800 Litre	£6,250	£225.42	£150.28
V4™ DiFuse Sys	900 Litre	£6,350	£228.42	£152.28
V4™ DiFuse Sys	1,000 Litre	£6,450	£232.02	£154.68

DiFUSE™ is Ionic's cold pure water delivery truck-mount delivery system. Designed for quick pure water filling from a static water treatment system or emergency filling from a mains water supply.

THE V4™ FUSION

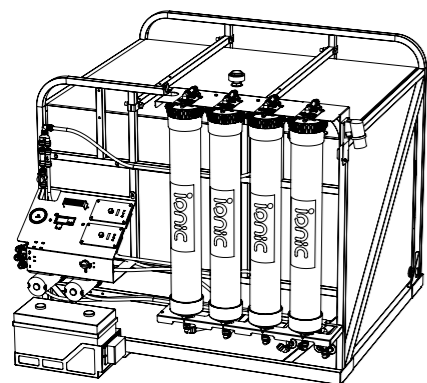


PRICES & FINANCE

V4™ Fusion System		Machine Only	3-Year Finance	5-Year Finance
V4™ Fusion Sys	300 Litre	£6,950	£250.02	£166.68
V4™ Fusion Sys	400 Litre	£7,050	£253.62	£169.08
V4™ Fusion Sys	500 Litre	£7,550	£271.62	£181.08
V4™ Fusion Sys	600 Litre	£7,650	£275.22	£183.48
V4™ Fusion Sys	700 Litre	£7,750	£279.82	£186.88
V4™ Fusion Sys	800 Litre	£8,250	£297.42	£198.28
V4™ Fusion Sys	900 Litre	£8,350	£300.42	£200.28
V4™ Fusion Sys	1,000 Litre	£8,450	£304.02	£202.68

FUSION™ is a high performance, fully automatic five-stage RO/DI system with 240v mains powered boosted fill, PFS™, ROMS™, & PDI™ are all standard features on the Ionic FUSION™ System. (Pure water production up to 6 ltrs per min dependent upon mains water supply)

THE V4™ FUSE

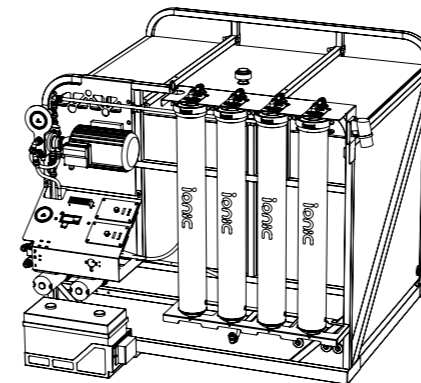


PRICES & FINANCE

V4™ Fuse System		Machine Only	3-Year Finance	5-Year Finance
V4™ Fuse System	300 Litre	£5,350	£192.42	£128.28
V4™ Fuse System	400 Litre	£5,450	£196.02	£130.68
V4™ Fuse System	500 Litre	£5,950	£214.02	£142.68
V4™ Fuse System	600 Litre	£6,050	£217.62	£145.08
V4™ Fuse System	700 Litre	£6,150	£221.22	£147.48
V4™ Fuse System	800 Litre	£6,650	£239.22	£159.48
V4™ Fuse System	900 Litre	£6,750	£243.82	£162.88
V4™ Fuse System	1,000 Litre	£6,850	£247.42	£164.28

The "FUSE™" is a high performance, fully automatic, full five-stage RO/DI system. Fully automated fill with PFS™ & PDI™ fitted as standard. (Pure water production up to 3 ltrs per min dependent upon mains water supply)

THE V4™ FUSION - 'S'



PRICES & FINANCE

V4™ Fusion 'S' System		Machine Only	3-Year Finance	5-Year Finance
V4™ Fusion 'S' Sys	300 Litre	£8,150	£293.22	£195.48
V4™ Fusion 'S' Sys	400 Litre	£8,250	£297.82	£198.88
V4™ Fusion 'S' Sys	500 Litre	£8,750	£315.82	£210.88
V4™ Fusion 'S' Sys	600 Litre	£8,850	£318.42	£212.28
V4™ Fusion 'S' Sys	700 Litre	£8,950	£322.02	£214.68
V4™ Fusion 'S' Sys	800 Litre	£9,450	£340.02	£226.68
V4™ Fusion 'S' Sys	900 Litre	£9,550	£343.62	£229.08
V4™ Fusion 'S' Sys	1,000 Litre	£9,650	£347.22	£231.48

FUSION 'S'™ is an ultra high performance system designed for the most demanding customers as well as the Worlds hottest climates. With fully automatic five-stage RO/DI system with 240v mains powered boosted fill, PFS™, ROMS™, & PDI™ and of course Stainless Steel filter housings, all standard features on the Ionic FUSION 'S'™ System. (Pure water production up to 9 ltrs per min dependent upon mains water supply)

THERMOPURE™ & COLD WATER DELIVERY SYSTEM

The Thermo Delivery system from Ionic systems is the ideal solution for those that want to benefit from the use of heated water, but who don't need water treatment in the vehicle (or those who live in a soft-water area)

Simple to use and easy to operate, the Thermo delivery system will be the perfect solution for those with several vans on the road.

Cold Water Delivery Systems	Machine Only	3-Year Finance	5-Year Finance
Cold Delivery 300 Litres	£2,500	£90.22	£60.48
Cold Delivery 400 Litres	£2,600	£93.82	£62.88
Cold Delivery 500 Litres	£3,100	£111.82	£74.88
Cold Delivery 600 Litres	£3,200	£115.02	£76.68
Cold Delivery 700 Litres	£3,300	£118.62	£79.08
Cold Delivery 800 Litres	£3,800	£136.62	£91.08
Cold Delivery 900 Litres	£3,900	£140.22	£93.48
Cold Delivery 1,000 Litres	£4,000	£143.82	£95.88

Thermopure™ Delivery Systems	Machine Only	3-Year Finance	5-Year Finance
Hot Delivery 500 Litres	£8,700	£313.90	£208.60
Hot Delivery 600 Litres	£8,800	£316.22	£211.48
Hot Delivery 700 Litres	£8,900	£320.82	£213.88
Hot Delivery 800 Litres	£9,400	£338.82	£225.88
Hot Delivery 900 Litres	£9,500	£342.02	£228.68
Hot Delivery 1,000 Litres	£9,600	£345.62	£230.08

THE QUATTRO™ AND QUATTRO S SYSTEM

The Ionic QuattRO is a remarkably versatile system. Where there is access to both water and mains power, the QuattRO will produce a powerful stream of pure water, capable of supplying several poles up to a height of 80ft, even where the water pressure is relatively low.

The QuattRO incorporates both Reverse Osmosis and De-Ionisation and is suitable for even the hardest water conditions. The QuattRO can consistently and efficiently produce an ample supply of pure water at excellent pressure thanks to its powerful booster pump.

Ordering & Prices	Price	3-Yr Lease
QuattRO System	£1,875	£67.50 pcm
QuattRO Electric System	£3,125	£112.50 pcm
QuattRO-S Electric System	£3,950	£142.50 pcm



THE CADDY™ DI SYSTEM

The Caddy is a straight forward system that allows waterfed cleaning wherever there is access to a water supply. There are several Caddy configurations, from those that use only de-ionisation (eg for soft-water areas) to those incorporating reverse osmosis.

Ordering & Prices	Price	3-Yr Lease
Single DI	£270	£10.08 pcm
Twin DI	£500	£18.00 pcm

X5™

The X5™ is a de-mountable truck-mount Reach & Wash System. The tough, compact design can be installed and removed quickly and easily in any commercial vehicle fitted with tie-down points in the load area.

Ideal for exterior window cleaning, solar panel and façade cleaning at any site where there is ready access to both mains water and power. For sites without power, a 3.5kw generator may be used instead.

Ordering & Prices	Price	3-Yr Lease
X5 System	£3,545	£127.62 pcm
X5-S System	£5,125	£184.50 pcm

TASK™

The Task™ Trolley is perfect cleaning tasks in areas that have no access to water or hoses such as courtyards, atria and so on, or where trailing hoses cannot be used.

The Task™ is also extremely useful for areas with restricted parking such as residential properties, busy high streets, city centres etc.

Ordering & Prices	Price	3-Yr Lease
Task 75- Litre Trolley	£1,800	£64.80pcm
Task2 55- Litre Trolley	£1,250	£45.00pcm
Task2 80- Litre Trolley	£1,350	£48.60pcm

VEHICLE FLOOR PROTECTION

A tough, waterproof coating that is extremely robust and protects the inside of the vehicle from damage and wear.

Ordering & Prices	Price
Small Vans	£687.50
Medium Vans	£812.50
Large Vans	£937.50

WATER SOFTENERS

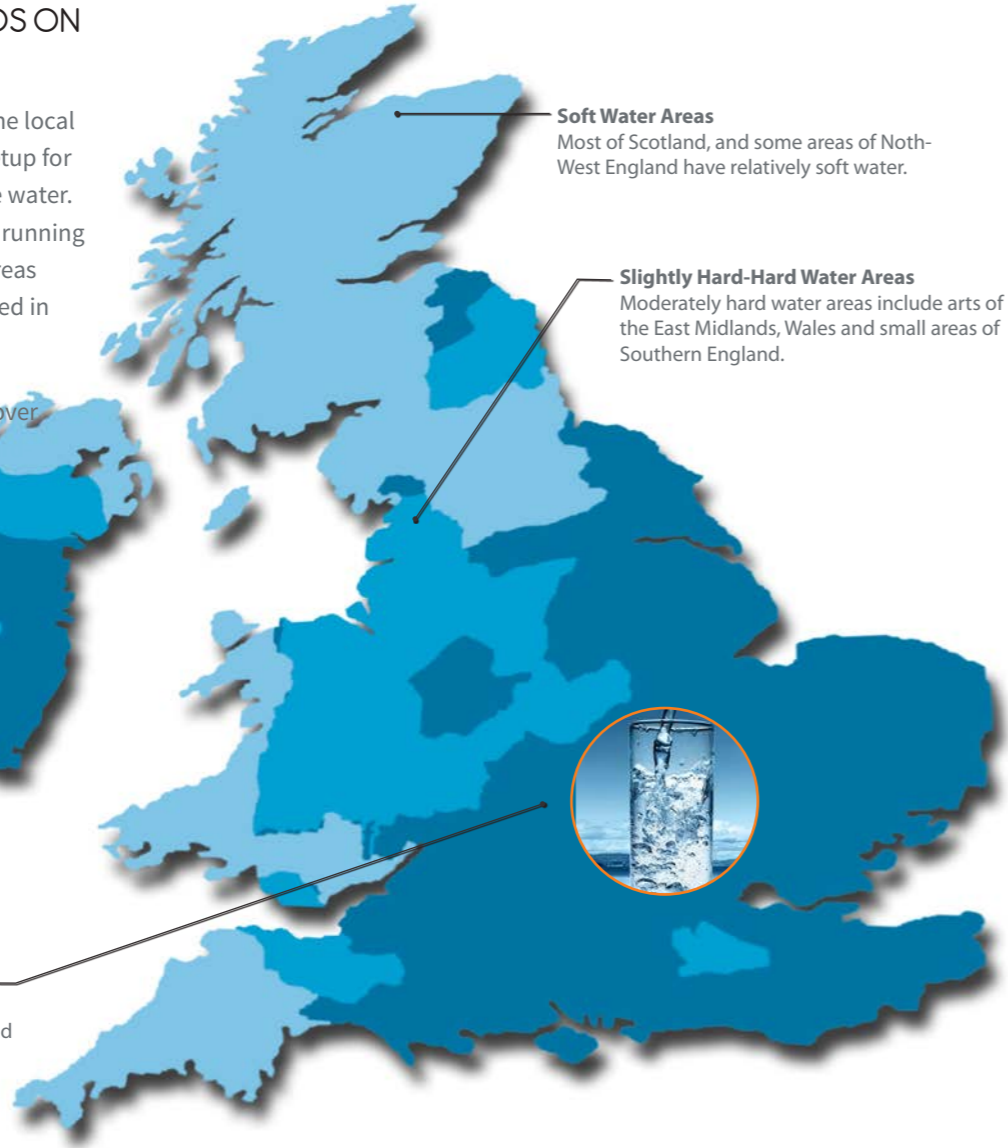
- **SOFT**
0-100 mg/l
- **SLIGHTLY HARD - HARD**
100-200 mg/l
- **HARD - VERY HARD**
Above 200 mg/l

WATER TREATMENT DEPENDS ON LOCAL WATER HARDNESS

The hardness (calcium content) of the local water supply determines the best setup for the cost effective production of pure water. More filters are required to keep the running cost down in hard water areas, whereas simpler filter systems can be deployed in soft water areas.

Most of the population of England (over 85%) live in hard areas. In hard water areas pre-treatment with a water softener is essential for the other stages of filtration to be more efficient and cost-saving.

Hard - Very Hard Water Areas
Most of Southern and Eastern parts of England, as well as most populated midland areas have hard or very hard water.



Caddy™ In-line Water Softener

Ionic Systems in-line 'Caddy™' water softeners are the ideal choice for window cleaners on the move, ideal for water softening onsite. The portable Caddy™ is easily carried and connects in-line between the water supply and the machine. The Caddy™ is available as single or duplex models.

Prices & Ordering	Price
Caddy™ In-Line Softener	£300
Caddy™ Duplex In-Line Softener	£550



WallSoft™ In-line Water Softener

A simple wall mounted water softener system that connects in-line between the water supply and the machine. Installed at the primary place of pure water production, WallSoft™ can be configured to soften even the hardest water.

Prices & Ordering	Price
WallSoft Softener	£400



MultiSoft™ In-line Water Softener

Ionic's MultiSoft™ is a high-capacity, mobile water softener with on-board softener regeneration ideal for hard water above 200mg/l and work of long duration. The MultiSoft™ is the perfect partner the QuattRO™ when used for roof top operations. MultiSoft™ is a true go-anywhere system.

Prices & Ordering	Price
MultiSoft Trolley	£1,200

SOFTENING THE WATER



USING A WATER SOFTENER

Softening water using an Ionic water softener is straightforward. Simply attach the in-line softener between the water supply and the Machine, the softener will treat the water as it's used. Ionic offers a range of in-line softeners to suit all applications. Using the correct water softener will greatly improve performance and lifespan of the Reverse Osmosis filter.



AutoTrol Automatic Water Softener

The AutoTrol is an automatic water softener management system that will efficiently manage the output and regeneration cycle of a water softening vessel.

Prices & Ordering	Price
AutoTrol	Please contact us for current prices

REACH & WASH® WATERFED POLES

Our range of waterfed poles offers an unparalleled choice and quality. Whether you're looking for the ideal pole for residential work, or have your sights set on 80ft commercial buildings, we have the pole for you!

All of our poles come with our highly versatile Transverse Clamps which, as well as being lightweight and robust, can be reversed for left or right handed use.

Our poles also have a choice of residential heads, with adjustable angle-crank, or our highly efficient commercial heads, which can cover a large area of glass quickly and with a perfect rinse pattern.

All Ionic poles have an insulating fibre-glass handle section, to protect against the risk of electric shock. They also have our highly durable anti-kinking internal pole hose, which is high-visibility bright orange.

The Grafter (17ft - 32ft)

Carbon-glass fibre mix poles, ideal for residential work up to about 25 feet, with the occasional need to reach a little higher. A very short collapsed length of just 1.6m makes the Grafter very useful on ground-level, and easy to store even in small vehicles

The GLYDER & GLYDER PLUS (25ft - 40ft)

Carbon fibre poles with excellent rigidity and lightness, as well as a short collapsed length. Great for residential and low to medium-rise commercial where 30-40ft reach is needed regularly. The PLUS version has even greater rigidity. A real workhorse, for use all day, every day.

The SWIFT & SWIFT PLUS (45ft - 80ft)

Carbon poles with unsurpassed rigidity and lightness. With extremely tight tolerances between sections, Swift poles are designed specifically for medium to high-level commercial work. Very narrow handle sections make these poles comfortable to use even for prolonged periods. The PLUS version has even greater rigidity.

SWIFT

45ft, 55ft, 65ft
and 80ft
poles

Mini Pole (9ft)
(perfect for abseiling
& cradle work)

Glyder
25ft, 30ft, 35ft
and 40ft poles

Grafter
17ft, 21ft, 24ft, 28ft
and 32ft poles

OUR POLES

Grafter Glyder Swift

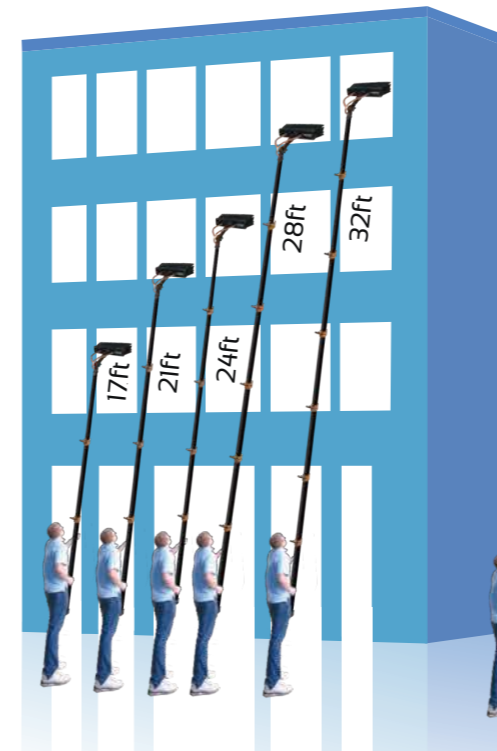


GRAFTER Waterfed Poles	Reach Length	Sections	Extended Length	Collapsed Length	Approx Weight	Price
9ft Mini Pole	9ft	2	1.60m	1m	1.04kg	£95
17ft GRAFTER Pole	17ft	3	4.09m	1.6m	1.44kg	£130
21ft GRAFTER Pole	21ft	4	5.29m	1.6m	1.80kg	£155
24ft GRAFTER Pole	24ft	5	6.44m	1.6m	2.19kg	£180
28ft GRAFTER Pole	28ft	6	7.56m	1.6m	2.58kg	£220
32ft GRAFTER Pole	32ft	7	8.63m	1.6m	3.01kg	£255

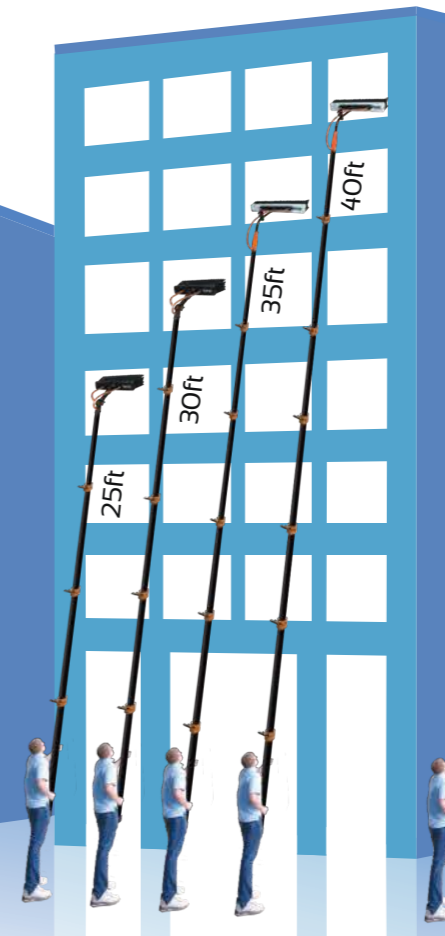
GLYDER Waterfed Poles	Reach Length	Sections	Extended Length	Collapsed Length	Approx Weight	Price
25ft GLYDER Pole	25ft	4	6.6m	1.99m	2.02kg	£320
30ft GLYDER Pole	30ft	5	8.1m	1.99m	2.45kg	£385
35ft GLYDER Pole	35ft	6	9.5m	1.99m	2.96kg	£435
40ft GLYDER Pole	40ft	7	10.9m	1.99m	3.39kg	£515
30ft GLYDER PLUS Pole	30ft	5	8.1m	1.99m	2.45kg	£565
35ft GLYDER PLUS Pole	35ft	6	9.5m	1.99m	2.96kg	£655
40ft GLYDER PLUS Pole	40ft	7	10.9m	1.99m	3.39kg	£770

GLYDER poles are fitted with Residential heads as standard, but can be upgraded to commercial head for an additional £100. (The commercial head upgrade adds approximately 260g to the weight of the pole)

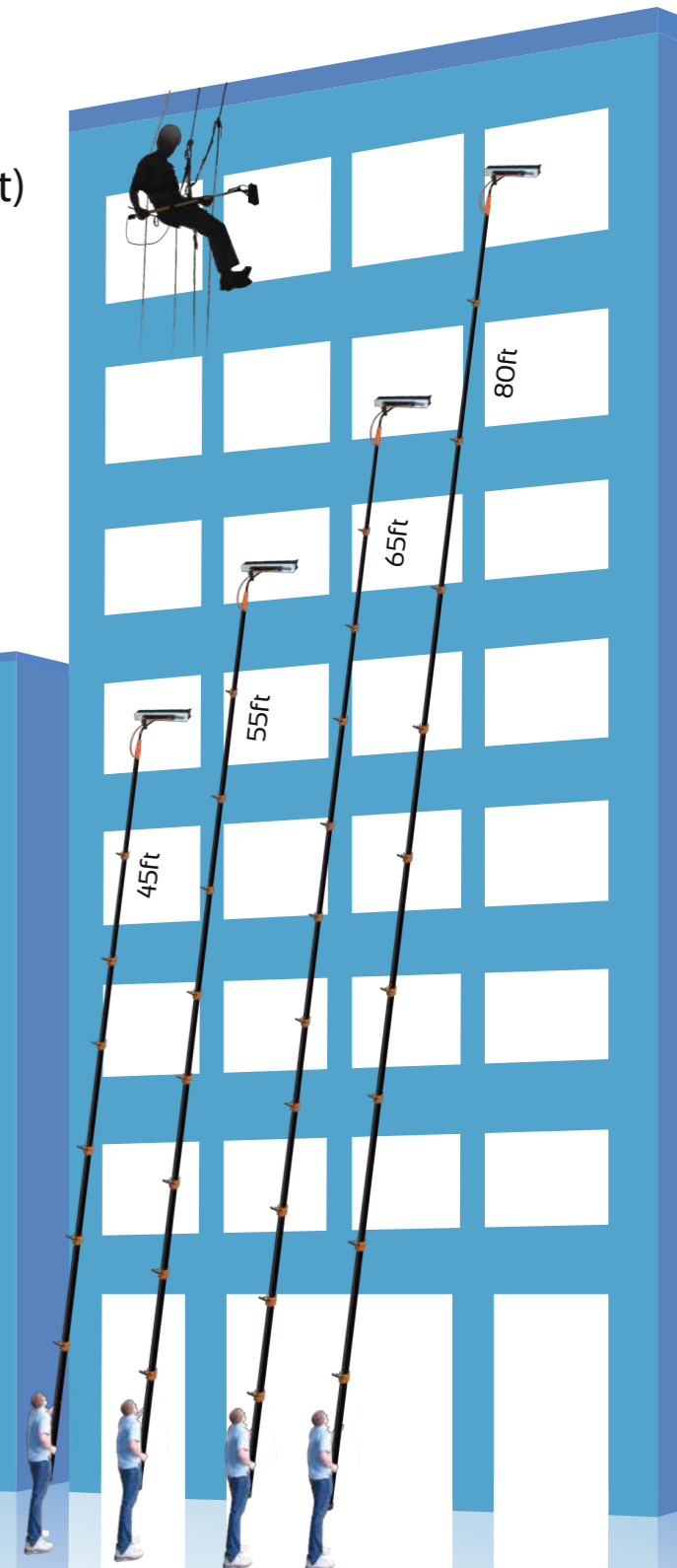
SWIFT Waterfed Poles	Reach Length	Sections	Extended Length	Collapsed Length	Approx Weight	Price
45ft SWIFT Pole	45ft	7	12.4m	2.34m	4.20kg	£755
55ft SWIFT Pole	55ft	9	15.6m	2.34m	5.56kg	£1,015
65ft SWIFT Pole	65ft	11	18.5m	2.34m	6.72kg	£1,370
45ft SWIFT PLUS Pole	45ft	7	12.4m	2.34m	4.20kg	£1,145
55ft SWIFT PLUS Pole	55ft	9	15.6m	2.34m	5.56kg	£1,530
65ft SWIFT PLUS Pole	65ft	11	18.5m	2.34m	6.72kg	£1,915
80ft SWIFT PLUS Pole	80ft	10	23.2m	3.4m	8.49kg	£3,210



GRAFTER™
17ft, 21ft, 24ft, 28ft
and 32ft poles



GLYDER™
25ft, 30ft, 35ft
and 40ft poles



SWIFT™
45ft, 55ft, 65ft
and 80ft poles

WATERFED POLE REPLACEMENT SECTIONS



Ordering & Prices

GRHS17	Handle Section for Gafter 17ft (with clamp & butt ring)	£43.75
GRHS21	Handle Section for Gafter 21ft (with clamp & butt ring)	£50.00
GRHS24	Handle Section for Gafter 24ft (with clamp & butt ring)	£56.25
GRHS28	Handle Section for Gafter 28ft (with clamp & butt ring)	£62.50
GRHS32	Handle Section for Gafter 32ft (with clamp & butt ring)	£68.75
GRS01	No 1 Gafter Section complete with german thread	£23.75
GRS02	No 2 Gafter Section complete with clamp	£30.00
GRS03	No 3 Gafter Section complete with clamp	£36.25
GRS04	No 4 Gafter Section complete with clamp	£43.75
GRS05	No 5 Gafter Section complete with clamp	£50.00
GRS06	No 6 Gafter Section complete with clamp	£56.25

Glyder

Glyder	Glyder Plus		Glyder	Glyder Plus
GGHS25	GGPHS25	Handle for 25ft c/w Clamp & Butt Ring	£62.50	£62.50
GGHS30	GGPHS30	Handle for 30ft c/w Clamp & Butt Ring	£68.75	£68.75
GGHS35	GGPHS35	Handle Section for 35ft c/w Clamp & Butt Ring	£75.00	£75.00
GGHS40	GGPHS40	Handle Section for 40ft c/w Clamp & Butt Ring	£81.25	£81.25
GSSNO1F	GSSNO1F	No 1 Section Complete with ferrule	£75.00	£112.50
GSSNO1T	GSSNO1T	No 1 Section Complete with thread	£75.00	£112.50
GSSNO2	GSSNO2	No 2 Section Complete with clamp	£82.50	£123.75
GSSNO3	GSSNO3	No 3 Section Complete with clamp	£90.00	£135.00
GSSNO4	GSSNO4	No 4 Section Complete with clamp	£98.75	£148.25
GSSNO5	GSSNO5	No 5 Section Complete with clamp	£105.00	£157.50
GSSNO6	GSSNO6	No 6 Section Complete with clamp	£112.50	£168.75



Swift	Swift Plus	Swift Plus 80ft		Swift	Swift Plus	Swift Plus 80ft
SHS45	SPHS45	N/A	Handle for 45ft c/w Clamp & Butt Ring	£87.50	£87.50	N/A
SHS55	SPHS55	N/A	Handle for 55ft c/w Clamp & Butt Ring	£100.00	£100.00	N/A
SHS65	SPHS65	N/A	Handle for 65ft c/w Clamp & Butt Ring	£112.50	£112.50	N/A
N/A	N/A	SPHS80	Handle for 80ft c/w Clamp & Butt Ring	N/A	N/A	£215.00
SSNO1	SPSNO1	SSN180	Section No 1 Complete	£90.00	£135.00	£31.25
SSNO2	SPSNO2	SSN280	Section No 2 Complete	£100.00	£150.00	£300.00
SSNO3	SPSNO3	SSN380	Section No 3 Complete	£108.75	£163.25	£320.00
SSNO4	SPSNO4	SSN480	Section No 4 Complete	£117.50	£176.25	£360.00
SSNO5	SPSNO5	SSN580	Section No 5 Complete	£126.25	£189.50	£390.00
SSNO6	SPSNO6	SSN680	Section No 6 Complete	£135.00	£202.50	£410.00
SSNO7	SPSNO7	SSN780	Section No 7 Complete	£143.75	£215.75	£435.00
SSNO8	SPSNO8	SSN880	Section No 8 Complete	£153.75	£230.75	£485.00
SSNO10	SPSNO9	SSN980	Section No 9 Complete	£162.50	£243.75	£350.00
SSNO10	SPSNO10	N/A	Section No 10 Complete	£171.25	£257.00	N/A



REACH & WASH® WATERFED POLE SPARES & ADDITIONS

TRANSVERSE CLAMPS - BODY ONLY

Transverse clamp body for Ionic Reach & Wash® poles.



Ordering & Prices		Each	Pk of 6
TCB1	No.1 Transverse Clamp Body	£2.75	£13.75
TCB2	No.2 Transverse Clamp Body	£2.75	£13.75
TCB3	No.3 Transverse Clamp Body	£2.75	£13.75
TCB4	No.4 Transverse Clamp Body	£3.00	£15.00
TCB5	No.5 Transverse Clamp Body	£3.00	£15.00
TCB6	No.6 Transverse Clamp Body	£3.00	£15.00
TCB7	No.7 Transverse Clamp Body	£3.00	£15.00
TCB8	No.8 Transverse Clamp Body	£3.25	£16.25
TCB9	No.9 Transverse Clamp Body	£3.25	£16.25
TCB10	No.10 Transverse Clamp Body	£3.25	£16.25

TRANSVERSE CLAMP PARTS

Individual components of transverse clamps.



Ordering & Prices		Each	Pk of 10
CS01	Transverse Clamp Screw	£1.50	£12.50
TCL	Transverse Clamp Lever	£1.50	£12.50
PN01	Transverse Clamp Pivot Nut	£1.50	£12.50

ANTI-SNAG HOSE ADAPTOR

Hose adaptor which allows the pole hose to connect to a quick-release 'hozelock' type fitting.



Ordering & Prices		Each	Pk of 3
ASJG	Anti-Slag Hose Adaptor	£5.00	£12.50

POLE HOSE.

High-visibility orange. 8mm OD, 5mm ID



Ordering & Prices			
R1236A	Orange Pole Hose 100 Metres	£100.00	
	Per Metre		£1.25

REPLACEMENT BUTT RINGS

Butt rings to protect the bottom of the pole from damage.



Ordering & Prices		
BR003	Butt Ring for Gafter-17	£4.50
BR004	Butt Ring for Gafter-21	£4.50
BR005	Butt Ring for Gafter-24	£4.50
BR006	Butt Ring for Gafter-28	£4.50
BR007	Butt Ring for Gafter-32	£4.50
BR004	Butt Ring for Glyder-25	£4.50
BR005	Butt Ring for Glyder-30 (Includes plus)	£4.50
BR006	Butt Ring for Glyder-35 (Includes plus)	£4.50
BR007	Butt Ring for Glyder-40 (Includes plus)	£4.50
BR007	Butt Ring for Swift-45 (Includes plus)	£4.50
BR009	Butt Ring for Swift-55 (Includes plus)	£6.00
BR0011	Butt Ring for Swift-65 (Includes plus)	£6.00
BR010	Butt Ring for Swift Plus-80	£6.00

ANGLE-CRANK

Connects to Ionic residential brushes and allows the angle of the brush head to be adjusted.



Ordering & Prices		
P0038	Angle Crank	£5.00



VAN MOUNTED POLE RACK

Van Mounted pole rack. Mounted on the roof or side of van.

Ordering & Prices		
W0105	Side Mounted Pole Rack	£155.00
W0105A	Roof Mounted Pole Rack	£190.00

IONIC DOUBLE-TRIM RESIDENTIAL BRUSH

Ionic Residential brush for poles with angle-cranks. Connects to the angle-crank directly to give an adjustable head. With double-trim, monofilament nylon bristles, which resist curling and softening (even with hot water). Has dual water-jets embedded in the bristle stock.



Ordering & Prices

P0583	Ionic Residential Brush	£35.00
MCJET-2MM	2mm Male Jet	£3.50

MULTIPOLE SWAP TOP

Allows angle crank and residential head to be attached to commercial poles.



Ordering & Prices

W0075	Multipole Swap Top	£65.00
-------	--------------------	--------

COMMERCIAL HEAD ASSEMBLY COMPLETE

Complete commercial head assembly, ready to fit to an Ionic ferrule. Fitted with a 9 inch gooseneck as standard. (All commercial head assemblies are available in any combination of 9", 24" or 26" gooseneck with 14", 18" or 24" brushes) Flocked versions available



Ordering & Prices

CH914	14" Commercial Head Assy Complete	£150.00
CH918	18" Commercial Head Assy Complete	£160.00
CH924	24" Commercial Head Assy Complete	£180.00

IONIC DOUBLE-TRIM COMMERCIAL BRUSHES

Double-trim brushes for Ionic commercial heads. The double-trim nylon bristles have just the right balance of suppleness and scrubbing power, and will not curl or soften even when used with hot water.



Ordering & Prices

P0044	14" Commercial Double-Trim Brush	£35.00
P0045	18" Commercial Double-Trim Brush	£45.00
P0045A	24" Commercial Double-Trim Brush	£65.00

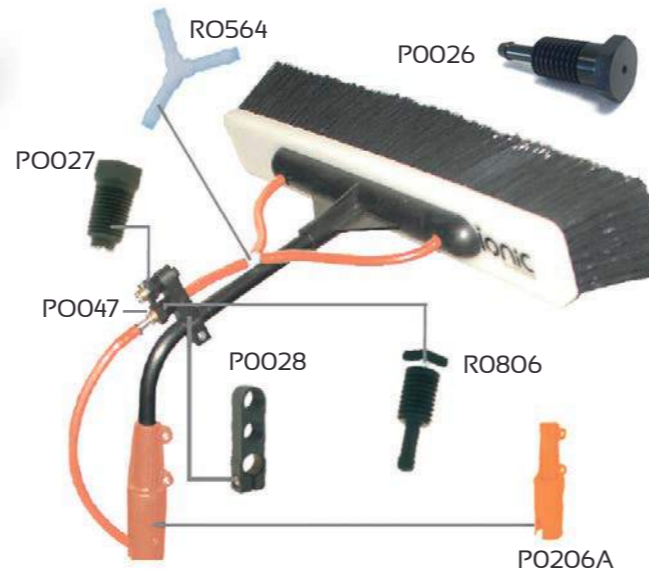
IONIC FLOCKED BRUSH

Robust, flocked bristles, ideal for waterfed cleaning of cladding and other more delicate surfaces, especially those prone to scratching. (The shredded ends mean a softer cleaning surface) Available for residential poles only.



Ordering & Prices

P0045F	Ionic Flocked Brush 18"	£50.00
P0044F	Ionic Flocked Brush 14"	£40.00



COMMERCIAL HEAD COMPONENTS

Ordering & Prices

		Each	Pk of 2
P0026	Non-Scratch Brush Screw	£3.15	£6.00
P0027	Spray Nozzle (incl push-fit)	£6.25	£10.00
P0028	Rinse Nozzle Bracket	£6.25	£10.00
R0806	Supply Nozzle (incl push-fit)	£6.25	£10.00
P0047	Push-Fit (Male)	£5.00	£9.00
P0206A	Ferule	£12.50	

		Each	Pk of 10
P0103B	Ferule Nut	£0.25	£1.25
P0103D	Ferule Bolt	£0.75	£5.00
R0564	Y-Piece	£2.00	£12.50

GOOSENECKS & HEADS (NOT INCLUDING BRUSH)

Standard goosenecks and heads for Ionic commercial poles. 90° Goosenecks are used for solar panel cleaning. Fits 14, 18 and 24 inch brushes.



Ordering & Prices

GN9H18	9" Gooseneck c/w 18" Head	£52.50
GN9SH18	9" Gooseneck c/w 90° 18" Head	£52.50
GN24H18	24" Gooseneck c/w 18" Head	£58.75
GN24SH18	24" Gooseneck c/w 90° 18" Head	£58.75
GN36H18	36" Gooseneck c/w 18" Head	£65.00
GN36SH18	36" Gooseneck c/w 90° 18" Head	£65.00

2MM MULTIPLE BRUSH JET

Connects the pole hose with the spray nozzle and brush-supply nozzle. The male push-fit also acts as a jet for residential brushes.



Ordering & Prices

		Each	Pk of 2
MCJET-2MM	2mm Male Jet	£3.50	£6.00



IONIC SOLAR PANEL CLEANING HEAD

Commercial head with 90-degree gooseneck, giving the optimum angle for solar panel cleaning.

Ordering & Prices

CH9S14	Solar Panel Head Assy with 14" Brush	£150.00
CH9S18	Solar Panel Head Assy with 18" Brush	£160.00
CH9S24	Solar Panel Head Assy with 24" Brush	£180.00

THE SIDEWINDER

The SideWinder head assembly for Ionic commercial poles allows the brush head to swivel laterally. This gives a huge degree of freedom, allowing brush to reach sideways over obstacles, and even to fit between bars.



Ordering & Prices

SW1814	18" SideWinder with 14" Head Assy	£200.00
SW1818	18" SideWinder with 18" Head Assy	£215.00
SW2414	24" SideWinder with 14" Head Assy	£200.00
SW2418	24" SideWinder with 18" Head Assy	£220.00

HOSE FITTINGS

FEMALE QR FITTING (1/2 INCH)

Female quick-release fitting for 1/2 inch hose.



Ordering & Prices

		Each	Pk of 5	Pk of 25
R0506	Female QR 1/2 inch	£5.00	£22.50	£105.00

FEMALE QR FITTING FOR RX HOSE WITH AUTO-STOP

Female quick-release fitting for RX Hose and other 8mm diameter hose. With auto-stop mechanism. (Automatically stops the water flow when disconnected)



Ordering & Prices

		Each	Pk of 10
8MMAS	Auto-Stop 8mm	£8.00	£20.00

FEMALE QR FITTING WITH AUTO-STOP

Female quick-release fitting for 1/2 inch hose with auto-stop mechanism. (Automatically stops the water flow when disconnected)



Ordering & Prices

		Each	Pk of 5	Pk of 25
R0508	Female w/Auto-Stop	£6.00	£25.00	£115.00

FEMALE QR FITTING (3/4 INCH)

Female quick-release fitting for 3/4 inch hose.



Ordering & Prices

		Each	Pk of 2
R1189	Female QR Fitting 3/4 inch	£6.25	£10.00

FEMALE QR FITTING WITH REGULATOR

Female quick-release fitting for 1/2 inch hose with flow regulator.



Ordering & Prices

		Each	Pk of 2	Pk of 25
R0505	Female w/Regulator	£11.50	£20.00	£240.00

DOUBLE MALE QR FITTING .

Double male connector for QR fittings. The blocked fitting is used to plug open hoses to prevent leaking etc.



Ordering & Prices		Each	Pk of 5	Pk of 25
R0677	Double-Male	£3.50	£12.50	£60.00
R0677A	Blocked	£4.00	£20.00	

TAP ADAPTOR FOR QR FITTINGS

Adapts tap with 3/4-inch or 1/2-inch threads to QR



Ordering & Prices		Each
R0510	Tap Adaptor	£5.00

BALL VALVE

Push-fit valve connection



Ordering & Prices		Each
BV001	Ball Valve for 1/2 inch hose	£12.00

12MM STEM ELBOW

Push-fit Stem Elbow 12mm



Ordering & Prices		Each	Pk of 10
JGSE	JG 12mm Stem Elbow	£4.50	£36.00

12MM EQUAL ELBOW

Push-fit 12mm Equal Elbow Connector



Ordering & Prices		Each	Pk of 10
JGEE	JG 12mm Equal Elbow	£4.50	£36.00

BRASS QR FEMALE FITTING

Brass quick-release female fitting for 1/2 inch hose.



Ordering & Prices		Each
R0979	Female QR Fitting	£10.00

QR FEMALE FITTING & ADAPTOR FOR RX HOSE

Female brass QR AutoStop fitting and adaptor for smaller diameter hoses (such as Ionic RX Hose).



Ordering & Prices		Each
RXHAD	RX Hose Adapter - 3/8" Hose to 1/2" Fitting	£10.00
P0100	'O' Clip	£1.25

BRASS QR FEMALE FITTING - WITH AUTO-STOP

Brass quick-release female fitting for 1/2 inch hose with auto-stop mechanism. (Automatically stops the water flow when disconnected)



Ordering & Prices		Each
R0978	1/2" Brass Quick Release- Stop End	£7.00

12MM 2-WAY DIVIDER

2 Way Divider / Splitter. Compatible with 12mm outside diameter semi rigid hose



Ordering & Prices		Each	Pk of 5
JG2W	JG 12mm 2-Way Divider	£6.00	£30.00

12MM T-SPLITTER.

Push-fit 12mm T-Split Connector



Ordering & Prices		Each	Pk of 5
JGET	JG 12mm T-Splitter	£4.50	£20.00

REDUCER

John Guest 12mm x 8mm Reducer



Ordering & Prices		Each
JG128R	JG Reducer	£2.50

CHECK VALVE

John Guest 12mm Single Check Valve



Ordering & Prices		Each
JGSCV	JG Check Valve	£20.00

PLUG

John Guest 12mm Plug - Red



Ordering & Prices		Each
JGP12	JG Plug	£1.45

JG 1/2 INCH STRAIGHT ADAPTER

John Guest 12mm x 1/2" Straight Adapter



Ordering & Prices		Each
JGSA	JG 1/2 Inch Straight Adapter	£4.05

JOHN GUEST FEMALE ADAPTOR

John Guest Female Adaptor 12mm x 1/2"



Ordering & Prices		Each
JGFA	John Guest Female Adaptor	£3.95

JG STRAIGHT CONNECTOR

John Guest Equal Straight Connector 12mm



Ordering & Prices		Each
JGESC	JG Straight Connector	£2.95

JG END STOP

John Guest Non-threaded End Stop



Ordering & Prices		Each
JES	John Guest End Stop	£3.95

JG HOSE INSERT

John Guest 12mm Tube Insert



Ordering & Prices		Each
JGTI	JG Hose insert	£0.30

12MM BULKHEAD CONNECTOR

12mm Metric Push in Fitting



Ordering & Prices		Each	Pk of 5
JGBC	JG 12mm Bulkhead	£8.00	£30.00

12MM VALVE

Push fit inline shut off valve



Ordering & Prices		Each	Pk of 5
JGSOV	JG 12mm Valve	£8.75	£45.00

12MM JOHN GUEST TO QR ADAPTOR

12mm John Guest to Quick-Release adaptor.

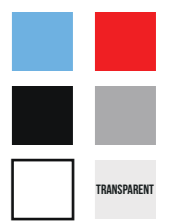


Ordering & Prices		Each	Pk of 5
JGHLA	JG 12mm QR Adaptor	£5.00	£20.00

12MM HOSE.



COLOUR OPTIONS:



Ordering & Prices		Each
DM12HS	12mm Hose 100 Metres Per Metre	£125.00 £1.50

O RINGS



Ordering & Prices		Each
R0928	O Ring (See use above)	£0.20
W0053B	O Ring (See use above)	£2.00
OR01	O Ring (See use above)	£2.00
ORING1	O Ring (See use above)	£0.50
ORING2	Red O Ring (See use above)	£0.20

FILTER CARTRIDGES, FILTER HOUSINGS & FILTER MEDIA

ZERO SYSTEM FILTER CARTRIDGES



IFSED Sediment Filter Cartridge £50.00



IFCARBON Carbon Filter Cartridge £75.00



IFSOFT Water Softening Cartridge £65.00



IFRO Reverse Osmosis Membrane £460.00



IFDI Ionic DI Filter Cartridge £75.00



IFNGDI Ionic NGDI Filter Cartridge £125.00

IONIC LINEAR FILTERS



W0071 30-inch Carbon/Sediment Filter £100.00



W0080 30-inch 5-Micron Filter £95.00



W0072 30-inch Linear Softening Filter £95.00

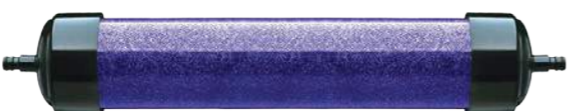


I30RO Ionic 30-in Reverse Osmosis £585.00



W0069 30-inch GREEN C/C DI (30ppm) £100.00

WR002 12-inch GREEN C/C DI (30ppm) £65.00



W0070 30-inch BLUE C/C DI (0ppm) £95.00

WR004 12-inch BLUE C/C DI (0ppm) £62.00

IONIC S/S FILTER HOUSING



Ordering & Prices

SFHJG Stainless RO Housing - JG £300.00

IONIC FILTER PLASTIC HOUSING



Ordering & Prices

IFH Ionic Filter Housing Complete £105.00

IROH Ionic RO Housing Complete - RO £120.00

IONIC R/O FILTER HOUSING



Ordering & Prices

SS4040H 40" Stainless RO Housing £125.00

SALT BACKWASH CANISTER



Ordering & Prices

W0053A Salt-Backwash Cannister £55.00

W0053 10" Filter Housing £45.00

W0042 Male QRC x 3/4" Male Thread £3.75

R0288 3/4" male to 1/2" Hosetail £3.50

R0591 3/4" male to 90 degree 1/2" Hosetail £3.50

R0861 Stainless Hose Clips £1.50

10" PRE FILTERS



Ordering & Prices

PP-10 10" Sediment Filter £2.00

GAC-10 10" Granular Carbon Cartridge £5.00

CTO-10 10" Block Carbon Cartridge £5.00

IONIC FILTER HOUSING - END CAP



Ordering & Prices

IFHEC Filter Housing End Cap £12.00

IFHECSR Filter Housing Snap Ring £6.00

IONIC FILTER KEYRING



Ordering & Prices

FKR01 Ionic Filter Keyring £5.00

FILTER CLAMPS



Ordering & Prices

R0675 Filter Clamps (Pair) £18.00

MIXED BED RESIN

Ionic Systems Mixed Bed Ion Exchange Resin. Ionic high quality resins have been tested and certified by the Water Quality Association.



Ordering & Prices

PMB101-2 Mixed Bed Resin £57.00

PC002 Softening Resin £40.00

*Loyalty discount not available on Resin

25KG GRANULITE SALT

Salt granules for water softening systems



Ordering & Prices

W0112 25kg Granulite Salt £10.00

PARTS & ACCESSORIES + ADD ONS

PUMP CONTROLLERS



Ordering & Prices

PC01	Black pump controller with fill switch	£190.00
PC02	Black pump controller without fill switch	£185.00
PC03	Black pump controller for V4 systems (2015 onwards)	£280.00
RO696	Grey pump controller without fill switch	£165.00
RO697	Grey pump controller for thermo pure systems	£140.00
RO698	Grey pump controller with fill switch (male pins)	£170.00
RO698A	Grey pump controller with fill switch (female no pins)	£170.00

HAND HELD TDS METER (WITH CASE)

Fast and accurate measurement of TDS (and temperature)



Ordering & Prices

W0046	Hand Held TDS Meter	£24.00
-------	---------------------	--------

IN LINE DUAL TDS METER

Dual inline tds meter. Robust, durable, quality TDS Meter.



Ordering & Prices

W0046B	In line Dual TDS meter	£75.00
--------	------------------------	--------

STAINLESS HOSE CLIPS

For 1/2" Hose



Ordering & Prices

R0861	Stainless Hose Clips	£1.50
-------	----------------------	-------

IONIC 100PSI 12V WATER PUMP

100PSI system water pump, with pressure switch



Ordering & Prices

W0036	Ionic 100psi 12v Water Pump	£170.00
-------	-----------------------------	---------

100PSI PRESSURE SWITCH



Ordering & Prices

W0036A	Switch Assy	£35.00
W0036B	1/2" Elbow fitting	£8.00
W0036E	3/8" Elbow fitting	£8.00



VISIT WWW.IONICSHOP.CO.UK TO BUY ONLINE

Visit www.ionicsystems.com

HOSES & HOSE REELS

YUASA 12V BATTERY CHARGERS

Known all over the world for their performance, reliability and unparalleled quality.



Ordering & Prices

CT01	Yuasa YCX5A12 - 5A	£100.00
CTP01	Yuasa YCX10A12 - 10A	£185.05
CTP02	Yuasa YCX25A12 - 25A	£360.00

SAFETY WARNING SIGN

Highly robust, double-sided warning sign



Ordering & Prices

W0066	Safety Warning Sign	£125.00
-------	---------------------	---------

STAINLESS STEEL VAN PORTS

Stainless steel van ports for attaching hoses. Available with either 1/2-inch or John Guest style hoesetail connections on the inside. (Outside connections are 'hoselock' style)



Ordering & Prices

SP001JG	S/Steel Port - 1 Connector JG	£100.00
SP002JG	S/Steel Port - 2 Connectors JG	£110.00
SP003JG	S/Steel Port - 3 Connectors JG	£120.00

IONIC STAINLESS STEEL HOSE REEL

Top quality stainless steel hose reel with wheels. Holds 100m of 1/2 inch hose or 200m of Ionic RX Hose



Ordering & Prices

W0035	Stainless Steel Hose Reel	£365.00
HRHT08	90 Degree Hosetail -8MM	£7.50
HRHT12	90 Degree Hosetail -12MM	£8.00

IONIC STAINLESS STEEL HOSE REEL (SMALL)

Top quality small stainless steel hose reel with wheels. Holds 50m of 1/2 inch hose or 100m of Ionic RX Hose



Ordering & Prices

W0035A	Small Stainless Steel Hose Reel	£300.00
HRHT08	90 Degree Hosetail -8MM	£7.50
HRHT12	90 Degree Hosetail -12MM	£8.00

1/2-INCH HOSE

50m of TRICOFLEX high quality 1/2 inch hose. Also 1/2 inch THERMO hose for hot water use



Ordering & Prices

12.5MMHS	50m 1/2" Hose	£80.00
12.5MMHS	1m 1/2" Hose	£2.00

3/4 -INCH IONIC RX HOSE

30m of 22mm internal diameter hose. Heat tested and suitable for hot water use.



Ordering & Prices

3/4HPM	1m Orange 3/4" Hose	£3.50
--------	---------------------	-------

IONIC RX HOSE

100m of 8mm internal diameter hose. Much lighter and easier to handle than 1/2 inch hose. Heat tested and suitable for hot water use.



Ordering & Prices

RXH100	100m Ionic RX Hose	£75.00
--------	--------------------	--------

VISIT WWW.IONICSYSTEMS.COM



CALL: 01793 871 386 TO ORDER

Call 01793 871 386

MOERMAN HAND TOOLS & ACCESSORIES

MOERMAN MICROFIBRE SLEEVE & T-BAR

High quality applicator sleeve and T-Bar from Moerman. Highly absorbent micro fibre sleeve with an abrasive pad at one end. Ergonomically designed T-Bar for comfortable, all-day use.



Ordering & Prices

MRMNS25	Microfibre Sleeve 25cm	£8.90
MRMNS35	Microfibre Sleeve 35cm	£9.45
MRMNS45	Microfibre Sleeve 45cm	£11.45
MRMNBCT25	T-Bar - 25cm	£6.20
MRMNBCT35	T-Bar - 35cm	£6.35
MRMNBCT45	T-Bar - 45cm	£6.75

MOERMAN STAINLESS STEELSQUEEGEE

High-quality stainless steel squeegee channel with quick-release mechanism. Ergonomically designed handle with optimum reach.



Ordering & Prices

		Each	Pk of 10
MRMNBCH	Bi-Component Handle	£8.00	
MRMNR25	Rubber 25cm	£1.25	£10.00
MRMNR35	Rubber 35cm	£1.45	£12.00
MRMNR45	Rubber 45cm	£1.75	£14.00
MRMNCH25	S/S Channel w/Rubber 25cm	£3.25	
MRMNCH35	S/S Channel w/Rubber 35cm	£3.75	
MRMNCH45	S/S Channel w/Rubber 45cm	£4.25	

LIQUIDATOR SQUEEGEE CHANNEL

The Liquidator Squeegee Channel. Moulded tips and angled edge channel.



Ordering & Prices

S/S Channel w/ Liquidator Rubber 25cm £8.20 | Rubber only £8.20
S/S Channel w/ Liquidator Rubber 35cm £9.85 | Rubber only £9.85
S/S Channel w/ Liquidator Rubber 45cm £11.95 | Rubber only £11.95

BELT & HIP BUCKET

Professional window cleaners belt and hip bucket. Belt is fully adjustable with a quick-release buckle.



Ordering & Prices

MRMNBTL	Moerman Belt	£14.60
OTTBKT	Black Hip Bucket	£10.00

MOERMAN EXTENSION POLE

Lightweight and strong 3 and 5 meter extension pole for use with Moerman hand-tools.



Ordering & Prices

MRM3EP	Moerman 3m Extension Pole	£25.50
MRM5EP	Moerman 5m Extension Pole	£35.50

MOERMAN SCRAPERS

Heavy duty scrapers with easy-release blade mechanism. The scraping head has a plastic safety guard to protect users. Also has a notch to enable secure, locking attachment to extension poles.



Ordering & Prices

MRMNP5	Moerman Premium Scraper	£8.00
MRMNSB25	Replacement Blades 0.2mm (25pk)	£9.45

IONIC TRADE SECRET DETERGENT

Professional window cleaners detergent from Ionic Systems. For superior cleaning and optimum squeegee glide. Available in 750ml bottles.



Ordering & Prices

		Each	Pk of 12
TS750	Trade Secret 750ml	£9.00	£90.00

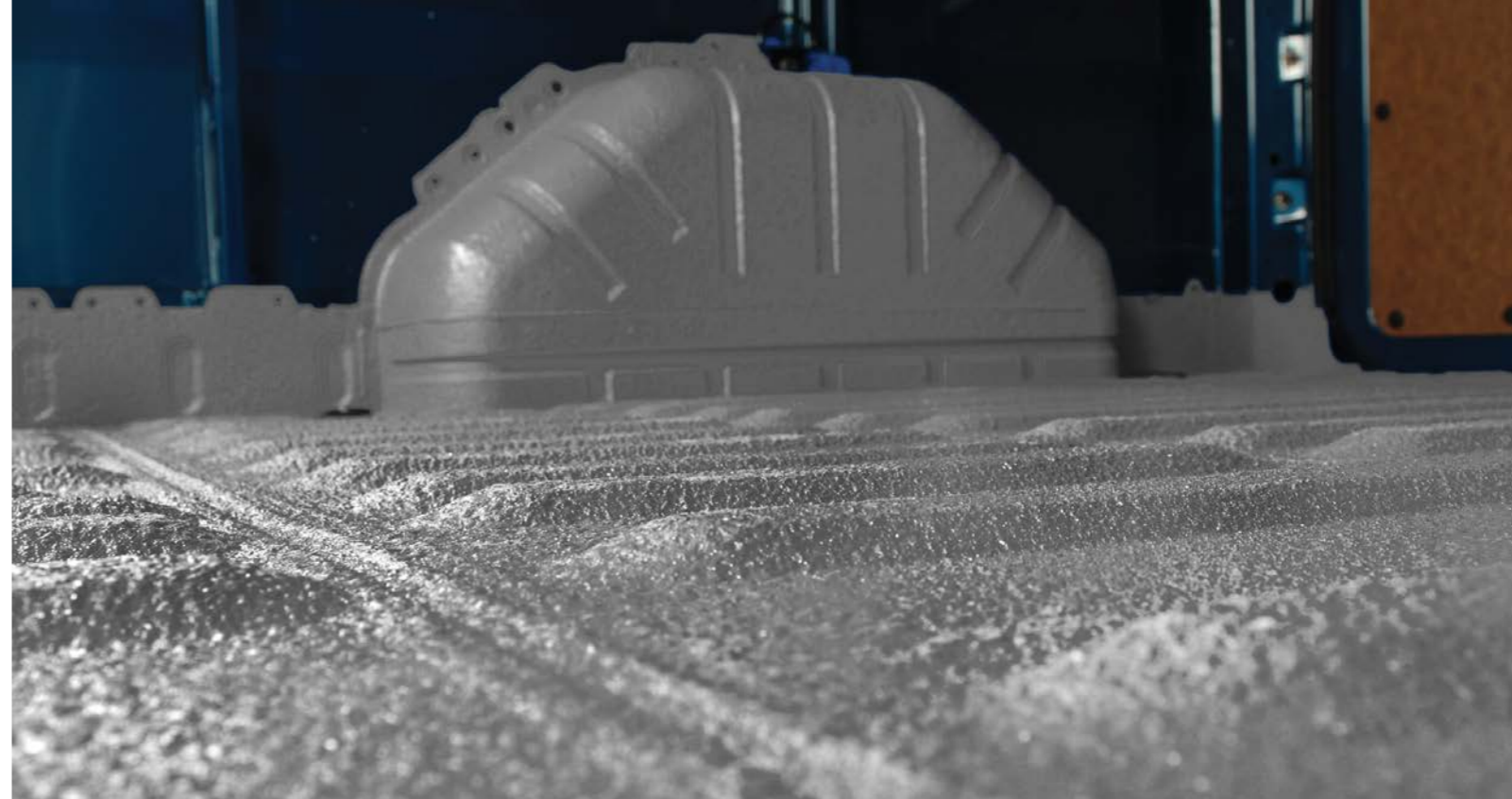
MOERMAN BUCKET

Robust window cleaning bucket with comfortable carrying handle. Holds 22 litres of water.



Ordering & Prices

MRMNB22	Moerman 22L Bucket	£18.60
---------	--------------------	--------



VEHICLE FLOOR PROTECTION

ROBUST VEHICLE FLOORING

We can apply a hard-wearing, waterproof vehicle lining that protects your van floor from rust, damage and water ingress.

With vehicle floor protection you won't need to worry about water spillages, scratches or other damage that can occur to a hard-working van.

The lining is applied to the van floor and the lower section of the walls for maximum protection. Water simply runs off without even coming into contact with the paintwork.

Floor protection can be applied to almost any vehicle, and is so robust that it lasts for years.



Ordering & Prices

	Price
Small Vans	£687.50
Medium Vans	£812.50
Large Vans	£937.50

IONIC PRODUCT GUIDE 2016



Ionic Systems Ltd, Westerngate, Hillmead Enterprise Park
Swindon, Wiltshire, SN5 5WN

Telephone: (01793) 871 386

E-mail: info@ionicsystems.com

www.ionicsystems.com

